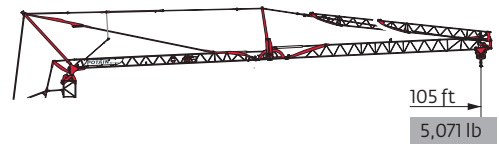
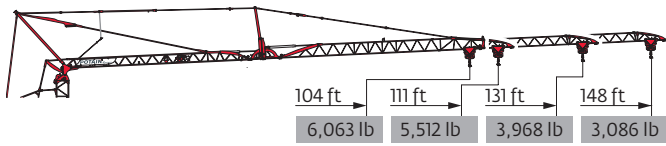


Load curves



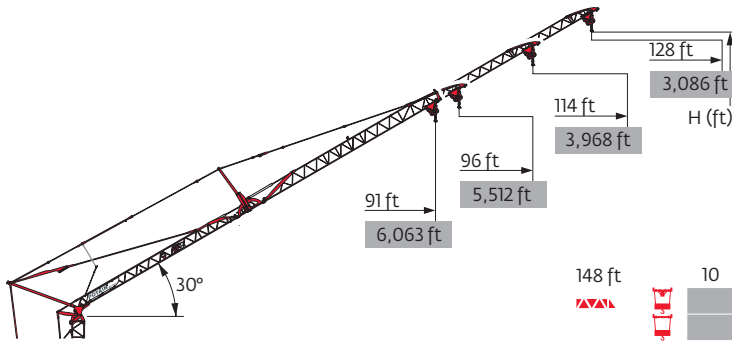
| 148 ft | 10 | ▶ | 42 | 46 | 52 | 59 | 66 | 73 | 78 | 79 | 85 | 92 | 98 | 105 | 112 | 118 | 125 | 131 | 138 | 148 | ft |
|--------|----|---|--------|--------|-------|-------|-------|-------|-------|-------|-------|-------|-------|-------|-------|-------|-------|-------|-------|-------|----|
| ▲▲▲ | | | 13,228 | 11,685 | 9,921 | 8,598 | 7,496 | 6,614 | - | 6,063 | 5,512 | 5,071 | 4,630 | 4,299 | 3,968 | 3,638 | 3,417 | 3,197 | 2,976 | 2,756 | lb |
| ▲▲▲ | | | | | | | | 6,614 | - | 6,063 | 5,512 | 5,071 | 4,630 | 4,299 | 3,968 | 3,638 | 3,417 | 3,197 | 2,976 | 2,756 | lb |
| ▲▲▲ | | | | | | | | | 6,614 | 6,504 | 5,952 | 5,401 | 4,960 | 4,630 | 4,299 | 4,079 | 3,748 | 3,527 | 3,307 | 3,086 | lb |

| 131 ft | 10 | ▶ | 46 | 52 | 59 | 66 | 72 | 81 | 85 | 85.3 | 92 | 98 | 105 | 112 | 118 | 125 | 131 | ft |
|--------|----|---|--------|--------|-------|-------|-------|-------|-------|-------|-------|-------|-------|-------|-------|-------|-------|----|
| ▲▲▲ | | | 13,228 | 11,023 | 9,700 | 8,378 | 7,496 | 6,614 | - | 6,173 | 5,622 | 5,181 | 4,850 | 4,409 | 4,189 | 3,858 | 3,638 | lb |
| ▲▲▲ | | | | | | | | 6,614 | - | 6,173 | 5,622 | 5,181 | 4,850 | 4,409 | 4,189 | 3,858 | 3,638 | lb |
| ▲▲▲ | | | | | | | | | 6,614 | 6,614 | 6,063 | 5,622 | 5,181 | 4,850 | 4,519 | 4,189 | 3,968 | lb |

| 111 ft | 10 | ▶ | 51 | 59 | 66 | 72 | 79 | 85 | 91 | 95 | 98 | 105 | 111 | ft |
|--------|----|---|--------|--------|-------|-------|-------|-------|-------|-------|-------|-------|-------|----|
| ▲▲▲ | | | 13,228 | 11,023 | 9,700 | 8,598 | 7,716 | 7,055 | 6,614 | - | 5,952 | 5,512 | 5,181 | lb |
| ▲▲▲ | | | | | | | | | 6,614 | - | 5,952 | 5,512 | 5,181 | lb |
| ▲▲▲ | | | | | | | | | | 6,614 | 6,283 | 5,842 | 5,512 | lb |

| 104 ft | 10 | ▶ | 52 | 59 | 66 | 72 | 79 | 85 | 92 | 96 | 98 | 104 | ft |
|--------|----|---|--------|--------|-------|-------|-------|-------|-------|-------|-------|-------|----|
| ▲▲▲ | | | 13,228 | 11,244 | 9,921 | 8,818 | 7,937 | 7,275 | 6,614 | - | 6,173 | 5,732 | lb |
| ▲▲▲ | | | | | | | | | 6,614 | - | 6,173 | 5,732 | lb |
| ▲▲▲ | | | | | | | | | | 6,614 | 6,504 | 6,063 | lb |

| 148 ft | 10 | ▶ | 45 | 52 | 59 | 66 | 72 | 79 | 84 | 92 | 98 | 105 | ft |
|--------|----|---|--------|--------|-------|-------|-------|-------|-------|-------|-------|-------|----|
| ▲▲▲ | | | 13,228 | 11,023 | 9,480 | 8,378 | 7,496 | 6,614 | - | 5,622 | 5,181 | 4,740 | lb |
| ▲▲▲ | | | | | | | | 6,614 | - | 5,622 | 5,181 | 4,740 | lb |
| ▲▲▲ | | | | | | | | | 6,614 | 5,952 | 5,512 | 5,071 | lb |



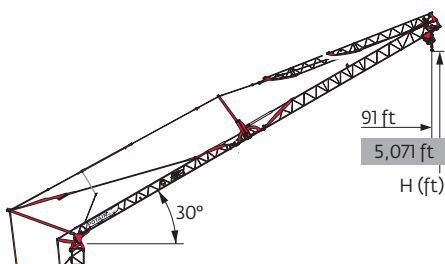
| | 148 ft | 131 ft | 111 ft | 104 ft |
|-----|--------|--------|--------|--------|
| H+2 | 167 | 159 | - | - |
| H+1 | 157 | 149 | - | - |
| H+0 | 138 | 130 | 119 | 116 |

| 148 ft | 10 | ▶ | 64 | 68 | 72 | 79 | 85 | 92 | 98 | 105 | 112 | 118 | 125 | 128 | ft |
|--------|----|---|-------|-------|-------|-------|-------|-------|-------|-------|-------|-------|-------|-------|----|
| ▲▲▲ | | | 6,614 | - | 5,732 | 5,181 | 4,630 | 4,189 | 3,858 | 3,527 | 3,307 | 3,086 | 2,866 | 2,756 | lb |
| ▲▲▲ | | | | 6,614 | 6,173 | 5,512 | 5,071 | 4,630 | 4,189 | 3,968 | 3,638 | 3,417 | 3,197 | 3,086 | lb |

| 131 ft | 10 | ▶ | 70 | 74 | 79 | 85 | 92 | 98 | 105 | 114 | ft |
|--------|----|---|-------|-------|-------|-------|-------|-------|-------|-------|----|
| ▲▲▲ | | | 6,614 | - | 5,732 | 5,181 | 4,740 | 4,409 | 4,079 | 3,638 | lb |
| ▲▲▲ | | | | 6,614 | 6,173 | 5,622 | 5,071 | 4,740 | 4,409 | 3,968 | lb |

| 111 ft | 10 | ▶ | 79 | 82 | 85 | 92 | 96 | ft |
|--------|----|---|-------|-------|-------|-------|-------|----|
| ▲▲▲ | | | 6,614 | - | 5,952 | 5,512 | 5,181 | lb |
| ▲▲▲ | | | | 6,614 | 6,393 | 5,842 | 5,512 | lb |

| 104 ft | 10 | ▶ | 80 | 84 | 85 | 91 | ft |
|--------|----|---|-------|-------|-------|-------|----|
| ▲▲▲ | | | 6,614 | - | 6,173 | 5,732 | lb |
| ▲▲▲ | | | | 6,614 | 6,504 | 6,063 | lb |



| | 148 ft | 131 ft |
|-----|--------|--------|
| H+1 | - | - |
| H+0 | 126 | 116 |

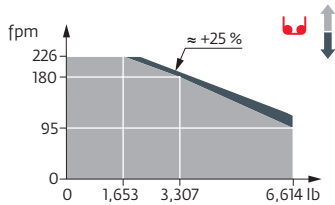
| 148 ft | 10 | ▶ | 70 | 73 | 79 | 85 | 91 | ft |
|--------|----|---|-------|-------|-------|-------|-------|----|
| ▲▲▲ | | | 6,614 | - | 5,732 | 5,181 | 4,740 | lb |
| ▲▲▲ | | | | 6,614 | 6,063 | 5,512 | 5,071 | lb |

Mechanisms

| 480 V - 60 Hz | | | | | | | | | | | | | hp | kW |
|---------------|------------------|-----|-------------------------------------------------------------------|-------|-------|-------|-------|--------|--------|--------|-------|-------|-------|----|
| | 20 LVF 15 Optima | fpm | 11 | 56 | 95 | 180 | 226 | 5 | 28 | 48 | 90 | 113 | 20 | 15 |
| | | lb | 6,614 | 6,614 | 6,614 | 3,307 | 1,653 | 13,228 | 13,228 | 13,228 | 6,614 | 3,307 | | |
| | 5 DVF 5 | fpm | 49 - 98 - 131 (4,409 → 13,228 lb) 49 - 98 - 180 (0 → 4,409 lb) | | | | | | | | | 5.5 | 4 | |
| | RVF 151 Optima+ | rpm | 0 → 0.8 | | | | | | | | | 5.5 | 4 | |
| | TVF 324 | fpm | 82 | | | | | | | | | 2 x 4 | 2 x 3 | |

| IEC 60204-32 | kVA |
|------------------------|------------------|
| 480 V (+6% -10%) 60 Hz | 22 kVA 25 kVA |

20 LVF 15 Optima

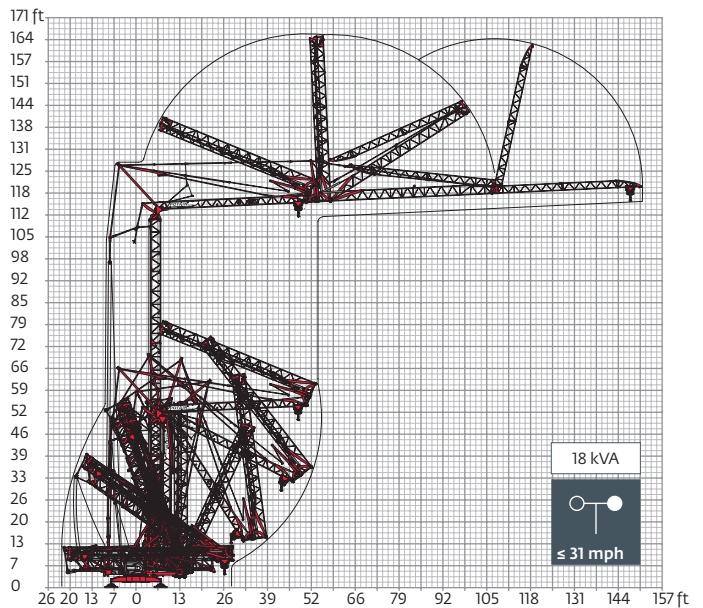
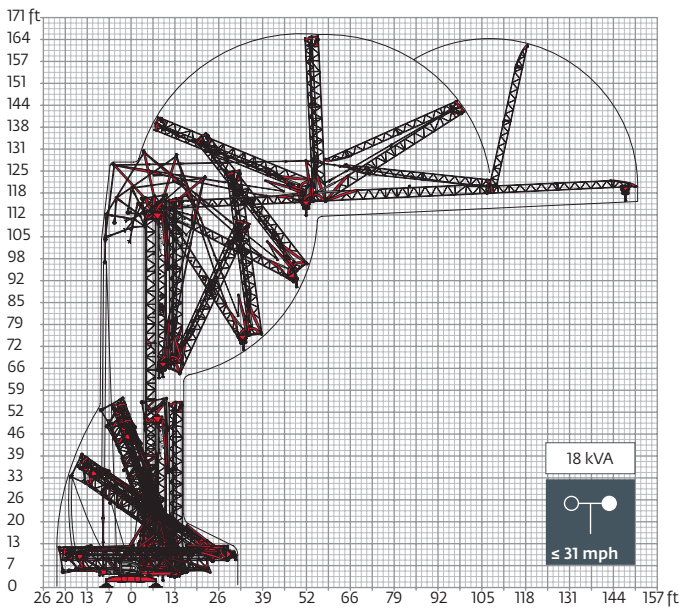


- Power Requirements**
 480V/60HZ - 62A max
 *480 V phase to phase
 *277 V phase to Ground
 *75A fuse protection
 *WYE connection
 *NO DELTA CONNECTION

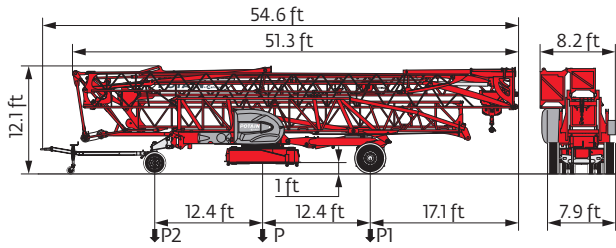
- Minimum Generator 45kW
 Supply Cable
 *3 hot + ground
 *No neutral
 *4 AWG wire

Erection

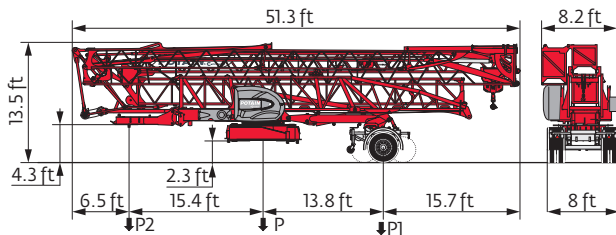
- Transformer
 *No open Delta connection



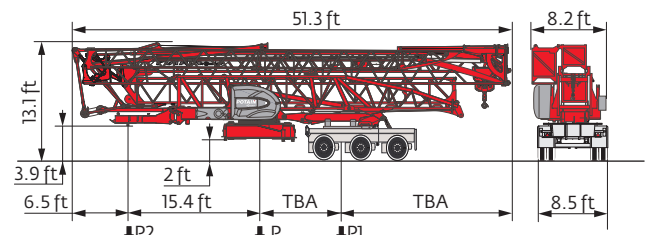
Transport



| | mph | P (lb) | P1 (lb) | P2 (lb) |
|--------------|------|--------|---------|---------|
| DJ100/S120 | 6 | 42,682 | 25,333 | 17,348 |
| DJ105/S125 | 15.5 | 43,321 | 25,796 | 17,524 |
| /..... | | | | |



| | mph | P (lb) | P1 (lb) | P2 (lb) |
|------------|------|--------|---------|---------|
| SL121/J135 | 15.5 | 44,533 | 28,219 | 16,314 |



| | P (lb) | P1 (lb) | P2 (lb) |
|----------------------------|----------|----------|----------|
| North America Highway Axle | i | i | i |

- R** Rear slewing radius
- Reactions in service
- Reactions out of service
- ⚖** Weight without load, without ballast, without transport axles, with max. jib and standard height
- ⚖** Total ballast weight
- Standard equipment
- ⊞** Options
- kVA** Required power
- i** Consult us
- ⬆** Hoisting
- ⬆** Trolleying
- ⬆** Slewing
- ⬆** Travelling

⚠ This commercial document is not legally binding. For any technical information, please refer to the corresponding instructions.



ROCKY MOUNTAIN CRANE

208-696-1476

14032 HWY 55
McCall, ID 83638

rockymtncranes.com



© 2019 The Manitowoc Company, Inc.
www.manitowoc.com